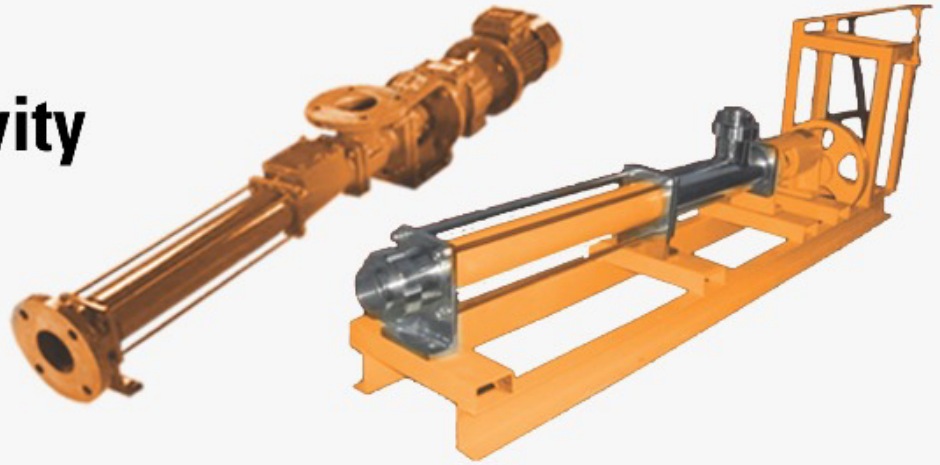


Progressive Cavity Screw Pumps



VERITO SCREW PUMP PERFORMANCE AT MAXIMUM SPEED & PRESSURE

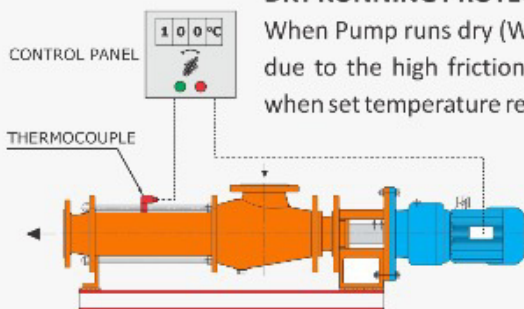
SINGLE STAGE PRESSURE 6 Kg/Cm ² (Max.)				DOUBLE STAGE PRESSURE 12 Kg/Cm ² (Max.)				FOUR STAGE PRESSURE 24 Kg/Cm ² (Max.)			
MODEL	MAX. RPM	M ³ /Hr	KW	MODEL	MAX. RPM	M ³ /Hr	KW	MODEL	MAX. RPM	M ³ /Hr	KW
VSC 1541	1440	0.18	0.37	VSC 1542	1440	0.16	0.5	VSC1544	1440	0.15	0.5
VSC 1941	1440	0.8	0.75	VSC 1942	1440	0.90	1.1	VSC1944	1440	0.90	2.2
VSC 2541	1440	2.6	1.1	VSC 2542	1440	2.65	2.2	VSC2544	1440	2.20	3.7
VSC 2941	1440	5.5	2.2	VSC 2942	1440	5.40	3.7	VSC2944	1440	5.20	5.5
VSC 3541	1440	7.5	3.7	VSC 3542	1440	7.40	5.5	VSC3544	960	5.00	7.5
VSC 3911	960	9.2	3.7	VSC 3912	960	9.20	5.5	VSC3914	720	6.90	9.3
VSC 4541	960	12.0	5.5	VSC 4542	960	12.00	7.5	VSC4544	720	8.40	11.0
VSC 4741	720	14.0	5.5	VSC 4742	720	13.50	7.5				
VSC 5641	720	21.0	7.5	VSC 5642	720	20.50	11.0	VSC5644	480	9.00	15.0
VSC 6641	720	35.0	11.0	VSC 6642	720	34.50	18.5	VSC6644	480	18.00	22.5
VSC 7641	720	60.0	15.0	VSC 7642	480	39.00	22.5	VSC7644	450	29.00	30.0
VSC 8641	480	60.0	18.5	VSC 8642	480	58.00	30.0	VSC8644	360	38.00	37.5
VSC 9741	400	72.0	18.5	VSC 9742	400	70.00	30.0	The above data related to water at ambient temperature at 760 mm Hg. Atmospheric pressure. Pump RPM and absorbed power will depend on actual viscosity of pumping media.			
VSC10041	375	100.0	22.0	VSC 10042	375	100.00	30.0				
VSC12041	350	200.0	42.5	VSC 12042	300	150.00	55.0				

OPTIONAL ACCESSORIES

DRY RUNNING PROTECTION

When Pump runs dry (Without Liquid) the temperature rises due to the high friction between the rotor and stator, and when set temperature reached the device trip the motor.

This Device sensed temperature thermoelectrically in the stator and protect dry running of Stator.



PRESSURE RELIEF VALVE

Where the pump running against closed valve or line blockade then it is suggested for the safety of the plant.

